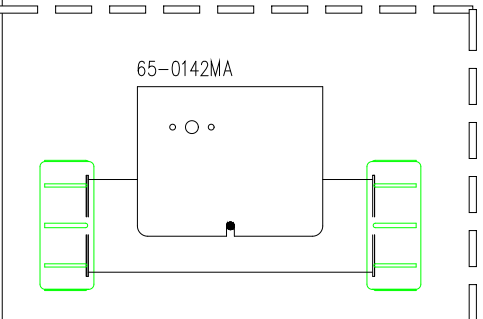
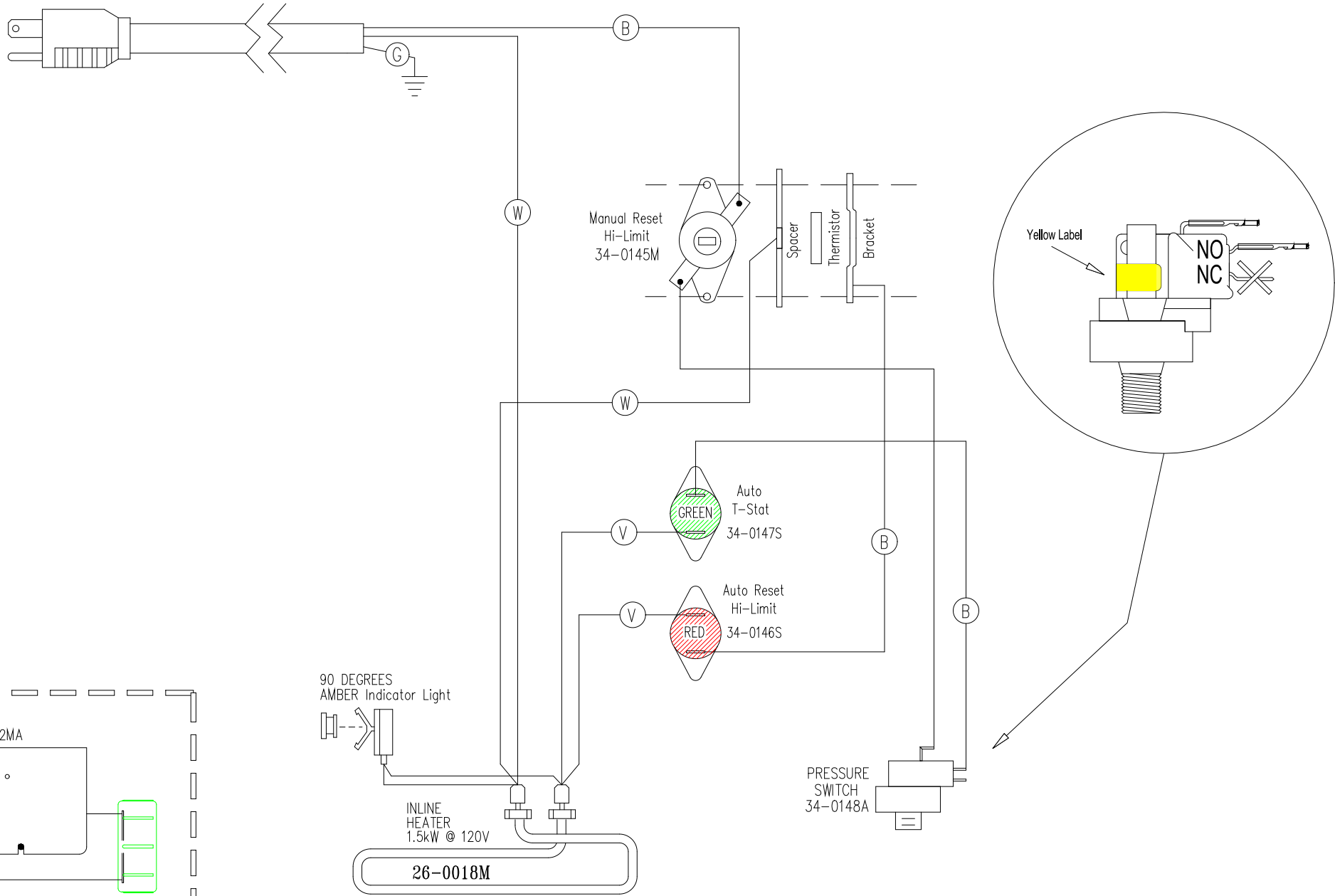


3 FOOT 15 AMP POWER CORD



HYDRO-QUIP
CORONA, CA (909) 273-7575

Manufacture Notes:

Approved By:

Dwg. No.
BF-12AA-D

Drawn
BH

Rev
0

Date
06.28.02

Diagram No.
1296-A

Wire Color Code

B - Black	G - Green
Br - Brown	Bl - Blue
R - Red	V - Violet
O - Orange	W - White
Y - Yellow	Gr - Gray